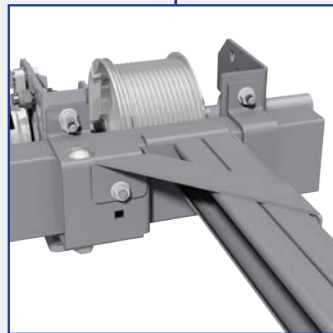


Low Headroom Industrial Door



**Solid and flexible industrial door solution
with minimum build in space**



Low Headroom Industrial Door

- Industrial torsion spring door solution for situations with minimum build in space
- Suitable for door weights up to **350 kg**
- Maximum door dimensions: **6000 mm** wide and **5000 mm** high
- Required lintel build in space: **200 mm** with double top roller carrier, **300 mm** with single top roller carrier
- One universal rail set applicable for all capable door sizes
- Rail set directly aligned to mounting surface using integrated alignment profiles

DOCO International B.V.

Nusterweg 96
6136 KV Sittard
The Netherlands
Phone +31 464200666
Fax +31 464526894
info@doco-international.com

DOCO International Southern Europe S.L.U.

Avenida Generalitat 55
P.I. "Can Met Sidru"
08530 La Garriga - Barcelona
Spain
Phone +34 938612825
Fax +34 938716592
ventas@doco-international.com

DOCO International Central Europe S.R.O.

Háj 352
798 12 Kralice na Hané
Czech Republic
Phone +420 582360100
Fax +420 582360300
info@doco-international.com

DOCO International Ltd.

Unit B3, Elvington Industrial Estate
Elvington
York
YO41 4AR
United Kingdom
Phone +44 1904607869
Fax +44 1904607299
sales@doco-international.co.uk

SOMMER Automazioni s.r.l. / DOCO Sales Office

Via della Cooperazione, 105
38123 Trento Fraz. Mattarello
Italy
Phone +39 0461263863
Fax +39 0461269247
info@it.sommer.eu

For your Residential and Industrial door solutions:

www.doco-international.com

A company of the SOMMER Group

